



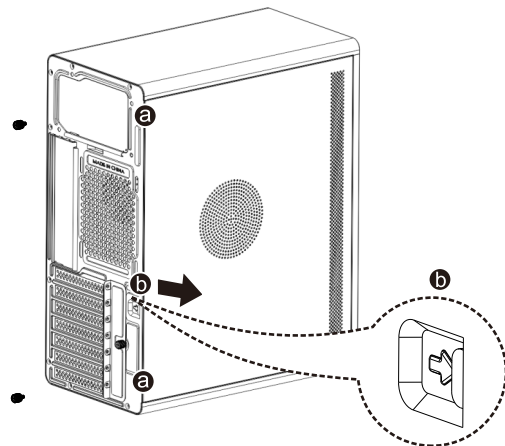
U510B

U510W

U510MS

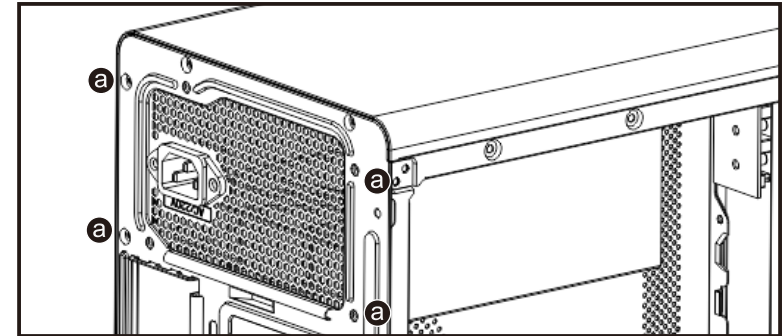
## 1 Disassemble Of Side Panels

- ① Unscrew the 2 screws at “a” positions of left side panel as shown in the illustration;
- ② Push the side panel out at “b” position of the rear end by thumb (Caution: if it's tempered glass side panel, please hold it by the other hand to prevent it falling down)



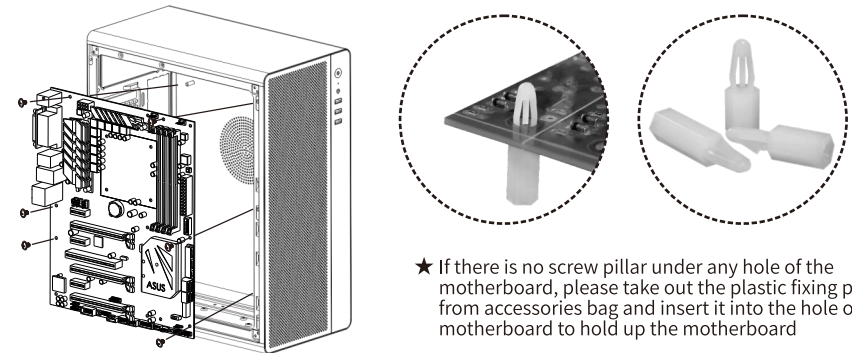
## 2 PSU installation

Install PSU in the positions as shown in the illustration, then fix it by 4 screws at “a” positions



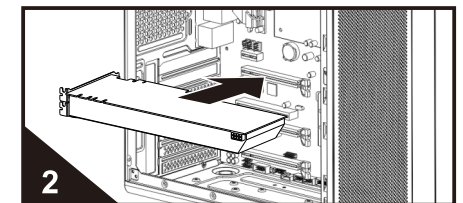
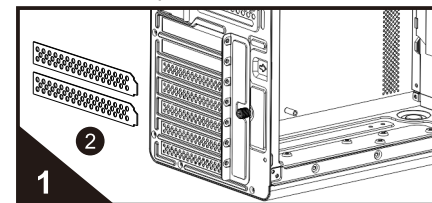
## 3 M/B installation

Put M/B in the case and align the screw holes, then fix M/B by screws as shown in the following illustration (this case support micro ATX M/B and ITX M/B) (different M/B has different installation characteristics, please refer to the user manual of your M/B before installation)



## 4 VGA card installation GPU clearance: 320MM (if front plate installed with fan then GPU clearance 290MM)

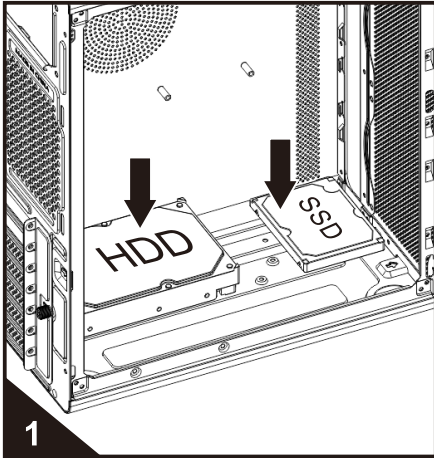
- ① Unscrew the screws of the fastening bar of the PCI slot covers, remove the fastening bar, then break off PCI slot covers
- ② Insert VGA card into the slot of M/B according to the arrow direction; Fix VGA card by screws



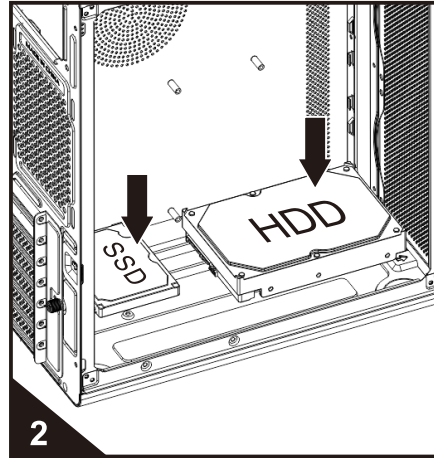
Unscrew the screws of the fastening bar of the PCI slot covers, remove the fastening bar, then break off PCI slot covers

Insert VGA card into the slot of M/B according to the arrow direction

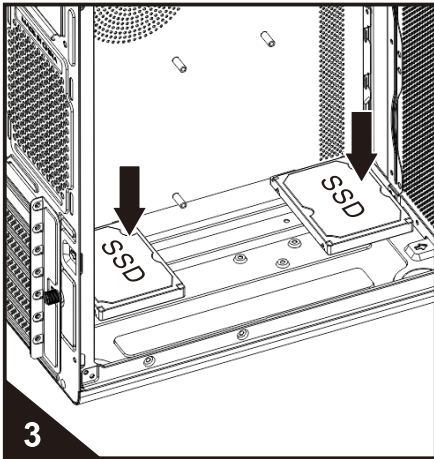
## 5 HDD / SSD installation (Support: HDD\*1+SSD\*3; OR SSD\*4)



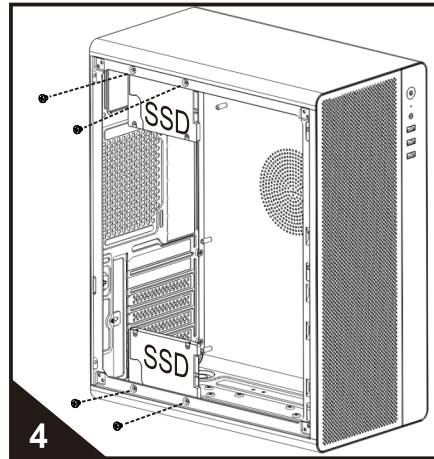
Put 3.5" HDD and 2.5" SSD on the bottom plate, align screw holes, fix it from the bottom by screws



Or put 2.5" SSD and 3.5" HDD on the bottom plate, align screw holes, fix it from the bottom by screws

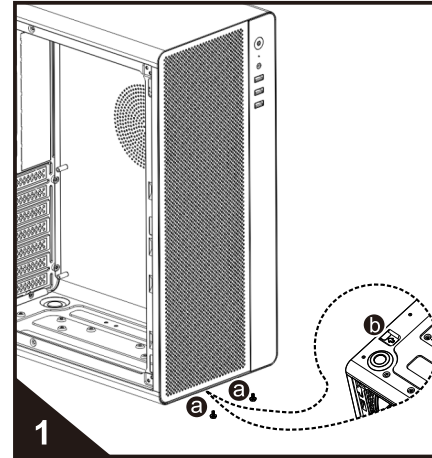


Or put 2\*2.5" SSD on the bottom plate, then fix the two SSD from the bottom by screws

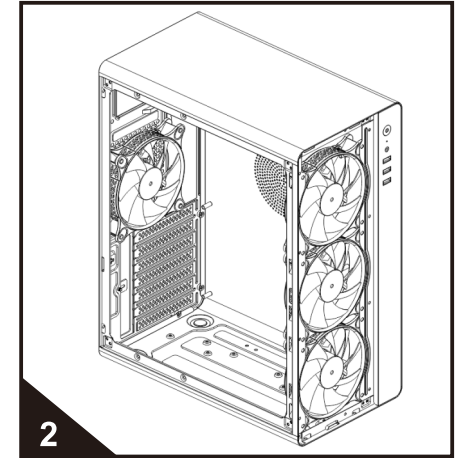


Both the side of top plate and the side of bottom plate can be installed with one 2.5" SSD (Remark: under this circumstance, the SSD can only be fixed by two screws)

## 6 Cooling device compatibility



- ① Unscrew the 2 screws at "a" positions of the bottom as shown in the illustration
- ② Push the front cover out at "b" position by thumb according to the arrow direction



After knock down the front cover, then install cooling fan or water cooling kit on the front plate, align screw holes, fix the fan or water cooling kit by screws from the front (support 3\*12cm fan or 1\*240mm water cooling kit)

## 7 Cooling device compatibility

Front plate: 3\*12cm fan or 1\*240mm water cooling kit  
Rear plate: 1\*12cm fan or 1\*120mm water cooling kit